



HIGH-POWERED DIGGER DERRICK
POLEMASTER
D70A

**A STURDY AND MOST POWERFUL MACHINE,
COMBINING BOTH SAFETY AND OPERATOR FRIENDLINESS**



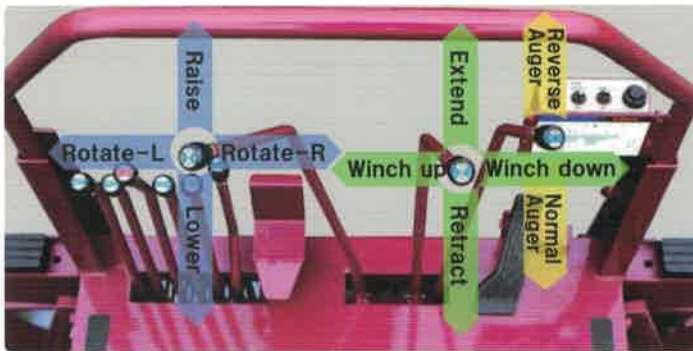
STUDAY BODY TO WITHSTAND VIGIROUS USE, POWERFUL TORQUE TO IMPROVE EFFICIENCY, AND EXCELLENT MANEUVERABILITY AND SAFETY.

The D-70A is our answer to various requests from worksite to lift long poles, to drill through tough ground and rock, and to set poles in remote places off the road or on a slope.

AICHI' S multilateral analysis has resulted in, a sturdier structure for improved durability, a more efficient motor, for better boom

rotation, a multi operation lever for safety and efficiency, an auger setting mechanism which enables the auger to be from the ground, adjustable pole support on the top of the boom and a water tank.

The D-70A has approached perfection as one of the best selling machines of its type, especially in its ability to cope with ever progressing work methods.



MULTI-OPERATIONAL LEVER (PATENT PENDING)

The operator can handle full operation of the crane or auger using the two multi-operational levers (patent pending) and the foot step. In addition, the rigid booms and efficient rotation motor provide delicate inching.



Auger setting mechanism (from ground)*

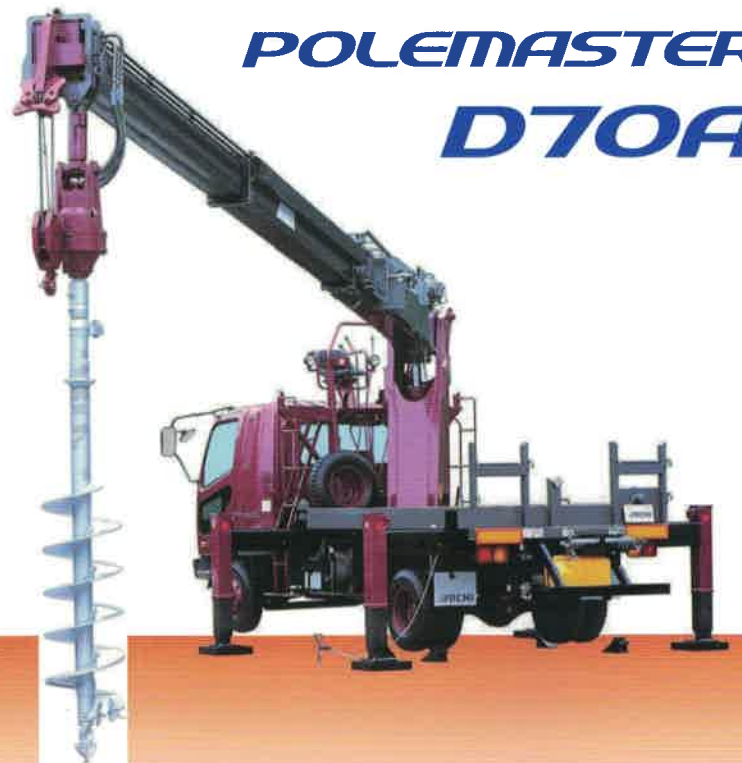
This mechanism permits easy setting of the auger.



Water Tank and Electric Pump

A 100litter (26.4gals) water tank is equipped as a standard accessory. This tank provides a convenient and effective way to compact recently dug earth, and is also useful to clean the auger and bed.

- Maximum drilling depth 5.2m (17.1ft)
- Auger working radius 4.16—11.4m (13.6—37.4ft)
- Auger torque 725kgf-m (5,240ft-lb)





Adjustable pole support

The pole support horns have various setting to suit the wide range of job the machine can be user for. To squeeze into a narrow place such as between the power lines, the horns can be retracted to be compact, and for ordinal jobs the horns can be extended to hold the pole.



Parallel hook movement device

During extention and retraction of the boom the parallel hook movement device, between the hook and the boom head is kept constant, without having to operate the winch.



Hook over-wind checking device

The device automatically stops the winch up operation before the winch operation overwinds preventing damage to the wire rope.



REMOTE ENGINE STOP DEVICE (E.S.S)

E.S.S is located at the operators seat as a standard device which allows the operator to start or stop the engine without moving away from the operator' s seat. This device helps to minimize the emission of noise and exhaust, and helps to save energy.



Wide and flat bed

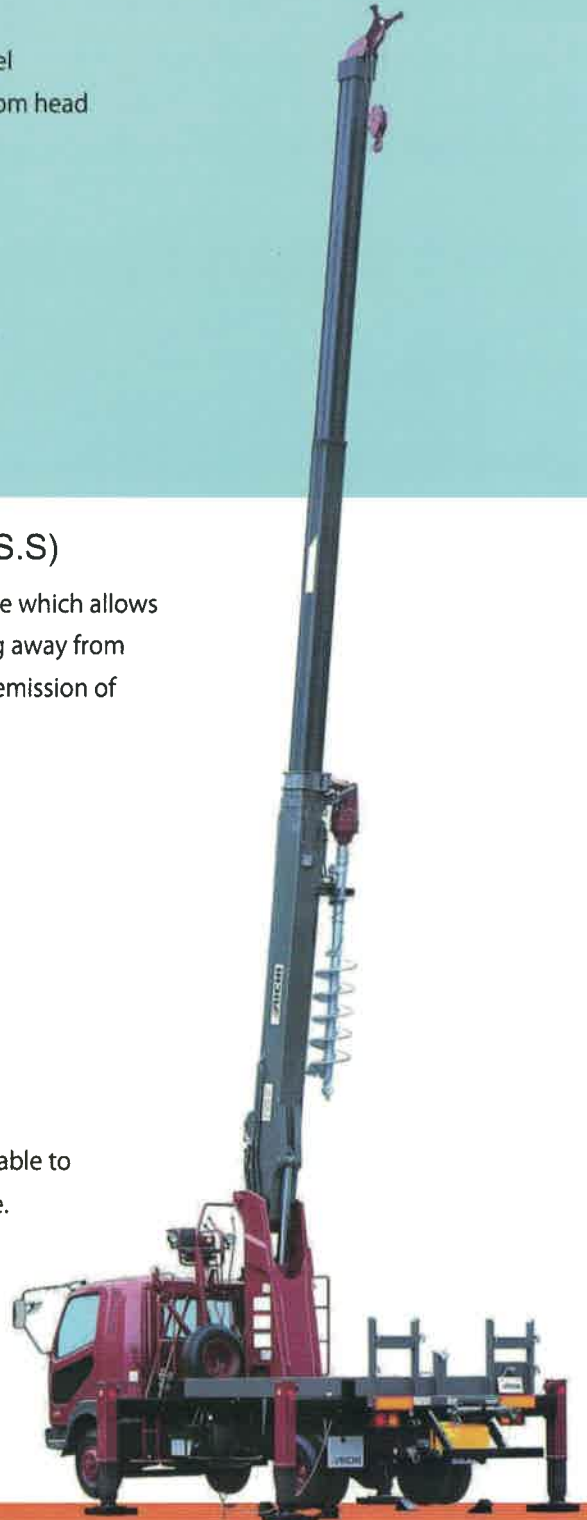
The D-70A is equipped with a wide and flat bed for easy cleaning with a maximum load of 250kg (550lbs). A large tool box is also installed on the right side.

	Multi-operation Levers	Oil Cooler
	Two lecvers to operate both auger and crane gimultaneously	To check temperature rise of hudraulic oil
STD		
L	<input type="radio"/>	
C		<input type="radio"/>
LC	<input type="radio"/>	<input type="radio"/>

Full Assortment

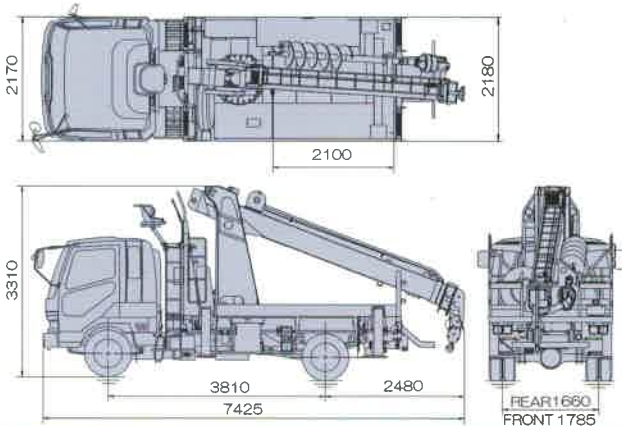
Three selections are available to suit the needs of worksite.

- Maximum lifting height 14.15m (46.4ft)
- Crane lifting capacity 3.0ton×4.6m (6,600lbs×15.1ft)
- Crane working radius 0.80—11.70m (2.6—38.4ft)

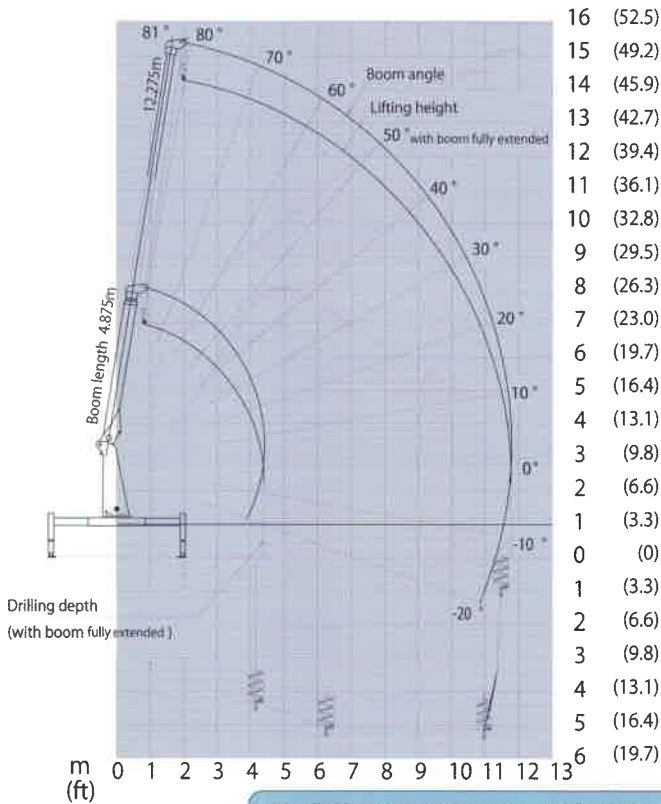


VEHICLE DIMENSIONS

These dimensions may vary depending on the chassis

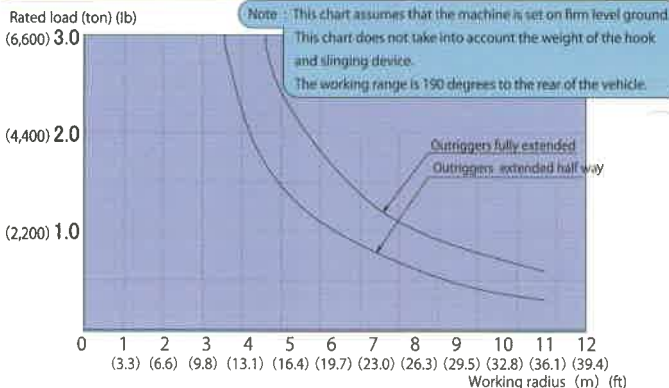


WORKING RANGE CHART



Note: This chart does not take into account any deflection of the boom. This chart assumes that the machine is set on firm level ground. The working range is 190 degrees to the rear of the vehicle.

RATED LOAD CHART



Note: This chart assumes that the machine is set on firm level ground. This chart does not take into account the weight of the hook and slinging device. The working range is 190 degrees to the rear of the vehicle.

MAJOR SPECIFICATIONS

MODEL	
Model No.	D70A
Model Name	Digger Derrick
LIFTING SPECIFICATIONS	
Maximum Load	3.0ton (6,600lbs)
Capacity	3.0tonx 4.6m (6,600lbsx 15.1ft)
Auger Range	190°from rear (95 degrees to left and right)
Work Range	0.80 - 11.70m (2.6 - 38.4ft)
Maximum lifting height	14.15m (46.4ft)
AUGER	
Work Radius	4.16 - 11.40m (13.6 - 37.4ft)
Max drilling depth	5.2m (17.1ft)
Work Range	190°from rear (95 degrees to left and right)
Drilling Diameter	0.45m (1.47ft)
Torque of Auger	725kgf-m (5,240ft-lb)
OUTRIGGER	
Extended Width	Front: 1,980 - 3,950 (78 - 155 in) Rear: 1,980 - 3,780 (78 - 149 in)
Outregger S stroke	Front: 980mm(38.6in) Rear: 900mm(35.4in)
Jack S stroke	440mm (17.3in)
ROTATION DEVICE	
Rotation Angle	360 degrees
Rotation S speed	2.5rpm (with pump at 2,000rpm)
BOOM	
Length	4.875 - 12.275m (16 - 40.3ft)
Angle	-20 - 81
Elevation S speed	Full stroke: 23sec (raising), 26sec (lowering) (pump at 2000rpm)
Extension S stroke	3.70m x 2 (8.86ft x 2)
Extension S speed	Full stroke: 20sec (extensions) 24sec (retraction) (pump at 2000rpm)
WINCH	
Hook S speed	Up : 55m/min (180ft/min) Down: 40m/min (130ft/min) (pump at 2000rpm)
Wire Rope	T7 x 7 + Fi(20) class B Φ10(mm)
Number of Wires	2
SAFETY DEVICE	
Hydraulic Circuit (Hydraulic relief valve, Holding valves on elevation and extension cylinders, Auger over winding prevention device, Winch over winding prevention device), Parallel hook movement device, Alarm horn, Hook stopper, Load meter, Boom angle meter, Auger holding device.	
OTHER DEVICE	
Engine start and stop device, Jack check valve guard, Variable pole supportorns, Water tank with electric pump, Hydraulic power outlet Tools case, Work light, Treee step wire guard.	
STANDARD ACCESSORIES	
Jack base, Tyre chocks, grounding wire wheel, S ling rope wire, Load lifting	
OPTIONAL ACCESSORIES	
Auger setting pin, Pole extractor, Rear reflectors, Partition boards, Rock bit.	
GRADES	
STD L (E quipped with multi-operation lever) C (E quipped with oil cooler) LC (E quipped with multi-operation lever and oil cooler)	
VEHICLE	
4.5 ton class mounting chassis	